



## WARRANTY

### **Introduction:**

Congratulations on your purchase. Your cabinets have been expertly manufactured and installed by craftsmen using quality materials by Pro Cabinet Design Ltd.

The following is very valuable and important information concerning the warranty and the care of your cabinets. We encourage you to read all of the information to make yourself familiar with the warranty and follow the suggested points of care to ensure trouble free and long term enjoyment of your cabinetry.

### **5 Year Limited Warranty**

Pro Cabinet Design Ltd warrants to the original consumer/ purchaser that our cabinetry will be free from defects of material and workmanship under normal use for a period of five years. This warranty applies to the registered owner's cabinets at the original location or address and only to those parts found defective under normal use for which they were designed or intended.

Each Pro Cabinet Design Ltd warranted must have been purchased and installed from Pro Cabinet Design Ltd or an authorized Pro Cabinet Design dealer.

### **General Warranty Guidelines**

Should defects in material or workmanship be shown to exist in a Pro Cabinet Design Ltd product, Pro Cabinet Design Ltd may repair or replace, at our option any such defective product covered by our warranty. Further, the warranty does not cover cost associated with loss of time, loss of use, loss of revenue, inconvenience or other incidental damages. Neither does the warranty cover deterioration due to normal wear and tear, damage by misuse, neglect, acts of God, exposure to moisture or extreme heat, abuse and other occurrences beyond the control of Pro Cabinet Design Ltd.

### **Characteristics of Wood**

The natural wood that we have used in our product has characteristics that make every cabinet both beautiful and unique. All hardwoods have their own personality, variation in colour, texture and grain pattern that are an inherent part of this natural material.

Natural hardwood variations often include distinctive grain patterns or unusual shadings in colour. These reflect the "Life History" of the tree and contribute to the unique look of your cabinets. As with all natural materials, your cabinets will be affected by environmental factors such as natural and artificial lighting. You can expect to see the colour gradually change and mellow as the wood gains its natural Patina over time. Furthermore, sunlight, smoke, household cleaners and other environmental conditions will also affect the colour match of all cabinetry over a period of time.

Occasionally a slight variation in colour may occur between solid wood and veneer wood panels. For example , solid wood doors or drawer fronts combined with a veneered end panel.

### **Effects of Humidity**

It is very important that a customer purchasing cabinets with solid wood cabinet doors gain an understanding of how household environments can effect a cabinet door with expansion and contraction.

The natural response of wood to changes in humidity is usually more dramatic than most people realize. For example, a solid wood bureau drawer that slides freely in January but sticks tightly in August is an all too familiar example of the dimensional response of wood to changes in atmospheric humidity. Likewise, a cabinet door panel is likely to shrink during cold, dry winters and expand in humid summers.

Pro Cabinet Design Ltd cabinet doors use lumber that is dried between 6% to 9%, which is within industry standards. Pro Cabinet Design Ltd also uses a 'floating' panel that is dimensioned to allow for the expansion and contraction of the panel during different atmospheric conditions in the home throughout the year. However, this natural response of wood to relative humidity conditions, cannot be viewed as defective or non-conformance. Every effort is made to mask this occurrence, especially when darker stain is used. Before the cabinet door is assembled, the inside of the middle panel receives a coat of stain when dark stain is ordered by the customer. This normally 'hides' the contraction of the panel in the winter which will expand in the summer months.

This contraction of wood is a normal occurrence and it is the customer's responsibility to maintain the humidity levels in their home. Please be aware of this issue as it does occur in all solid wood products.

### **Cabinet Maintenance**

The following is general information and suggested guidelines for the daily and periodic maintenance of your new cabinets. An authorized factory representative has installed your cabinets. All detail and adjustment is reviewed by your installer and any item overlooked should be notified to Pro Cabinet Design Ltd.

### **Hardware Adjustment**

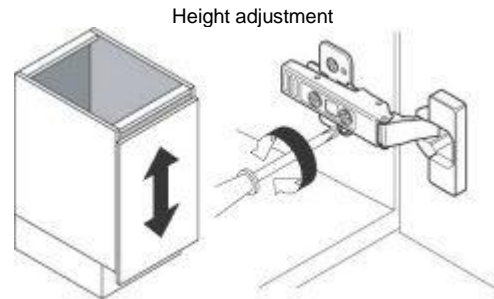
As mentioned, the final adjustment of all hardware, door and drawer alignment is completed by the authorized factory representative. However, from time to time, the doors and drawers can fall out of alignment due to settling of the home, the weight of the door and just general use of the cabinets. Any alignment after the sale and installation is completed, is not covered under warranty and is the responsibility of the customer to maintain adjustment.

## Frameless Cabinet Door Adjustment

All frameless cabinetry has a concealed 'European' hinge, which is fully adjustable and easy to do. The following is instructions for adjustment.

### Height adjustment

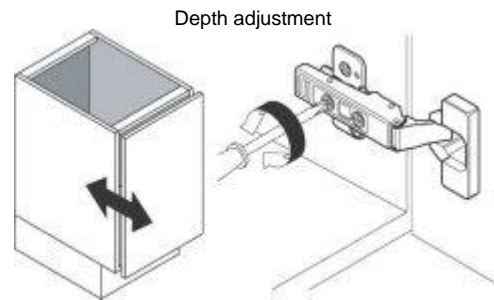
This adjustment involves two screws, one to the top and one to the bottom of the clip. Loosen the screws slightly and then lift or lower the door until it is in the position you want. Re-tighten the screws to secure the door.



Use these two screws to adjust the height of the doors and/or align the tops of the doors.

### Depth adjustment

Use this screw to adjust how far out or in the doors are in comparison to your cabinet and to the other cabinet doors and drawers surrounding it. Loosen the screw and manually push or pull the door to adjust it. Re-tighten the screw when the door is in the position you want.



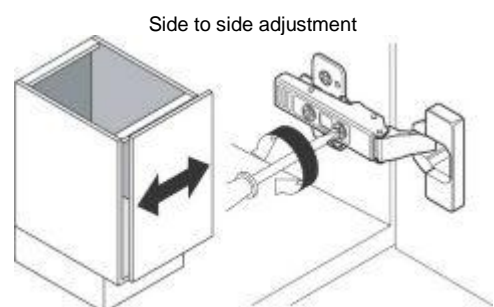
Use this screw to bring to door into alignment with neighboring cabinet doors/drawers.

### Side to side adjustment

Using a phillips head screwdriver, turn the adjustment screw clockwise and counter clockwise to move the door--the direction of turn and it's effect is dependent on which the side of the door the hinge is attached.

On a door with a right side hinge:  
Turn the screw **CLOCKWISE** to move the door to the **RIGHT**  
Turn the screw **COUNTERCLOCKWISE** to move the door to the **LEFT**

On a door with a left side hinge:  
Turn the screw **CLOCKWISE** to move the door to the **LEFT**  
Turn the screw **COUNTER CLOCKWISE** to move the door to the **RIGHT**



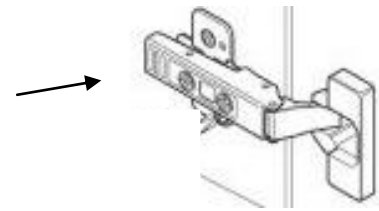
Use this screw to adjust the gap between doors, walls and other cabinets for parallel alignment.

### Quick Removal of Door

Open the door fully

Place the tip of your finger on the end of the bar that attaches to the hinge mounting plate in the cabinet.

Press the small spring-loaded end toward you from the mounting plate. Repeat for the next hinge and remove the door from the cabinet.

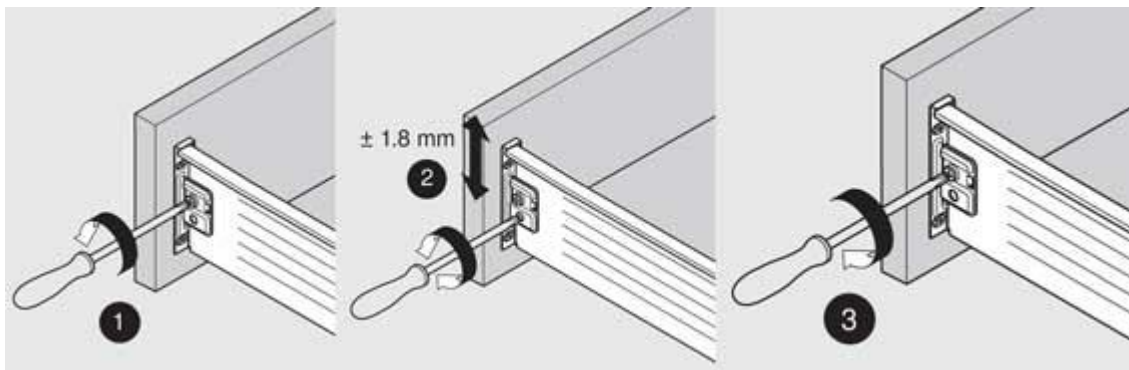


### Drawer Front Assembly Adjustment

All Pro Cabinet Design Ltd feature the multi-tech drawer system that is covered under a lifetime warranty with normal use. The drawer fronts can be adjusted for perfect positioning. There are two possible adjustments:

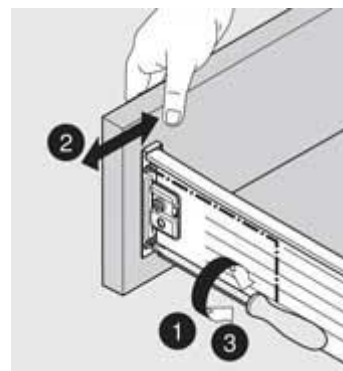
#### Height adjustment

1. Loosen the screw indicated in the diagram below. Do this on both sides of the drawer.
2. Turn the adjustment screw on each side to adjust the drawer front up or down.
3. Retighten the screws.



#### Side Adjustment

1. Loosen the screw indicated in the diagram to the right. Do this on both sides of the drawer.
2. Move the drawer front left or right, as desired.
3. Re-tighten both screws.



**Customer Care**

Your cabinetry has been crafted with quality materials and premium finishes to be both durable and beautiful. Very little maintenance is required to preserve the finish. The finish is formulated with a 'catalyst' to create a strong bond to the wood surface.

**After installation**

Wipe the cabinets with a soft, damp cloth and dry immediately with another soft cloth. Be sure to wipe in the direction of the grain of the wood on all wood surfaces. The standard inside and shelving of Pro Cabinet Design Ltd cabinets is durable melamine, which is completely washable with a damp cloth.

**Basic Cleaning**

Use a clean cloth dampened with a solution of mild dish soap and water to remove oil, grease, or daily spills. Do not use your dishcloth to clean the cabinets as it may contain remnants of other detergents that could harm the finish. Avoid using harsh cleaners, commercial cleaners, or abrasives as they will harm and dull your finish.

**Clean Spills Quickly**

Time is the worst enemy if any substance is allowed to dry on your cabinetry. Use a blotting action rather than a wiping action to remove the substance.

**Excessive Moisture**

Cabinetry around the sink and dishwasher areas are most susceptible to excessive moisture. Immediately dry any area where water has spilled. Avoid draping your dishtowels over doors or placing coffee makers where steam vents directly onto the cabinet surface.

**Waxing**

The finishing manufacture does not recommend using any type of wax (especially those that contain silicone) because of the build up and yellowing effects that will take place over time.

**Polishing**

We suggest that a high quality polish be used, without silicone.

**Counter Tops**

The counter tops have been manufactured to meet the standards recommended by the plastic laminate supplier and are warranted by the counter top manufacturer.

**Basic Cleaning**

Clean only with a clean, damp cloth, using mild liquid detergent for stubborn spots and stains.

**Clean spills quickly**

As with cabinets, time is the worst enemy for any substance left to dry on counter tops. There are certain liquids and powders that can stain counter tops and it is very important that these spills be cleaned as quickly as possible and not allowed to dry.

**Things to avoid**

Do not place a hot iron, frying pan or other heat source appliance on your counter tops. Do not use any harsh abrasive cleaners or steel wool. Do not use your counter top as a cutting or chopping block, this could scratch the surface of the counter top and cannot be repaired. Do not leave bleach, iodine, or beet juice on the surface, wipe immediately. Do not leave standing water or liquid on any joins or mitre cuts.

**Recommendations**

It is recommended that your counter tops be protected from cutting or chopping by using a protective glass 'surface saver' or small wood cutting block.

**Summation**

With a commitment to quality, integrity and expert workmanship and a combined experience spanning over 50Years. Pro Cabinet Design Ltd are pleased to provide you this information on your cabinet purchase. Should you require any additional information please do not hesitate to contact us. 7094667274